

COOPER LIGHTING - LUMARK®

DESCRIPTION

The IMPACT Trapezoid cutoff wall luminaire makes an ideal complement to site design. U.L. Listed and CSA Certified for wet locations in down mount applications and damp locations in up mounted applications.

Rugged construction and full cutoff classified optics provide facade and security lighting for light restricted zones surrounding schools, office complexes, apartments, and recreational facilities.

SPECIFICATION FEATURES

A ... Housing

The housing is a two-piece design of die-cast aluminum for precise control of tolerances and repeatability.

B ... Mounting

Gasketed and zinc plated rigid steel mounting attachment fits directly to 4" J-Box or wall with "Hook-N-Lock" mechanism for quick installation. Secured with two (2) captive corrosion resistant black oxide coated allen head set screws concealed but accessible from bottom.

C ... Optical Modules

All optical modules utilize high performance 95% reflective sheet. Type II optical module is standard.

D ... Ballast

HID luminaires supplied with high power factor ballast with Class H insulation. Minimum starting temperatures are -40°C (-40°F) for HPS and -30°C (-22°F) for MH. Compact Fluorescent luminaires feature electronic universal 120-277V high efficient 50/60Hz ballast with -18°C (0°F) minimum starting.

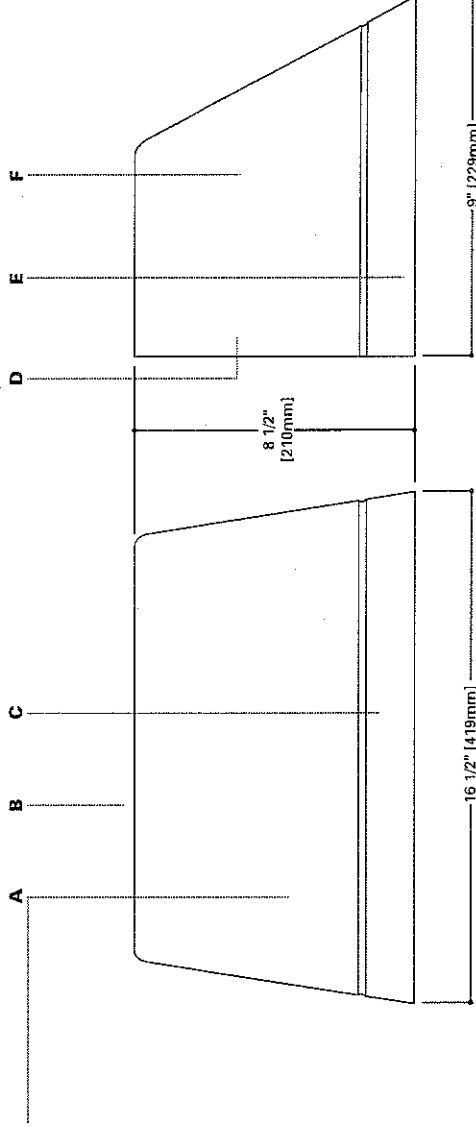
E ... Door

Die-cast door features, 1/8" heat- and impact-resistant clear tempered glass lens mounted with internal plated steel clips and sealed with EPDM gasketing. Hinged door secured in place via two (2) captive fasteners.

F ... Finish

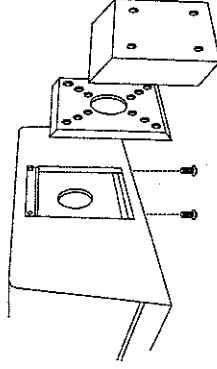
Durable polyester powder coat finish. Standard color is bronze. Optional white and black colors available. Other finish colors available. Consult your Cooper Lighting Representative concerning special color requirements.

IMPACT™
Cutoff Wall Luminaires



HOOK-N-LOCK MOUNTING

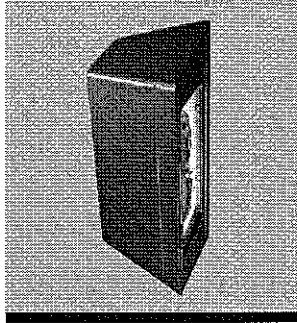
(Mounting attachment included. J-Box not included.)



DARK SKY FCO
COMPLIANT Full Cutoff

In downlight applications only.

Catalog #	Type
Project	
Comments	Date
Prepared by	



IP IMPACT TRAPEZOID

50 - 175W

High Pressure Sodium
Metal Halide

26 - 52W

Compact Fluorescent

FULL CUTOFF

WALL MOUNT LUMINAIRE

TECHNICAL DATA

25°C Maximum Ambient

Temperature

External Supply Wiring 90°C

Minimum

Down Mounted—Wet Location

Up Mounted—Damp Location

ENERGY DATA

High Reactance Ballast Input Watts

50W HPS HPF (66 Watts)

50W MH HPF (72 Watts)

70W HPS HPF (91 Watts)

70W MH HPF (90 Watts)

100W HPS HPF (130 Watts)

100W MH HPF (129 Watts)

150W HPS HPF (190 Watts)

150W MH HPF (185 Watts)

CWA Ballast Input Watts

175W MH HPF (210 Watts)

Electronic Ballast Input Watts

26W PL HPF (25 Watts)

32W PL HPF (36 Watts)

42W PL HPF (46 Watts)

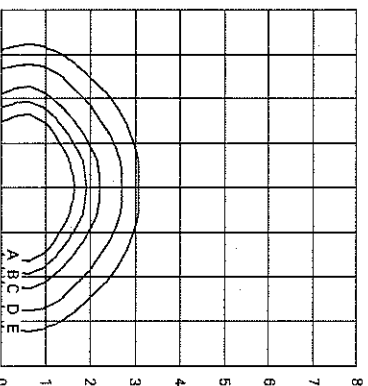
52W PL HPF (65 Watts)

SHIPPING DATA

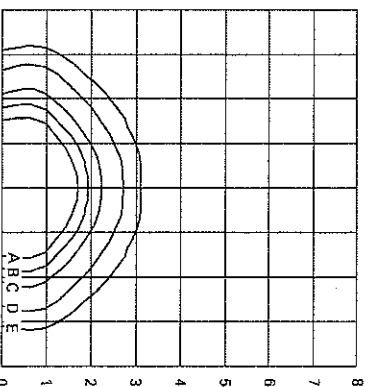
Approximate Net Weight:

18 lbs. (8 kgs.)





MHIP-T-175-MT-LL
175-Watt MH
14,000-Lumen Clear Lamp



HP/IP-T-150-MT-LL
150-Watt HPS
16,000-Lumen Clear Lamp

Footcandle Table
Select mounting height and read across for footcandle values of each isocandale line. Distance in units of mounting height.

Mounting Height	Footcandle Values for Isofootcandle Lines				
	A	B	C	D	E
10'	4.50	2.25	1.13	0.45	0.23
15'	2.00	1.00	0.50	0.20	0.10
20'	1.12	0.56	0.28	0.11	0.06

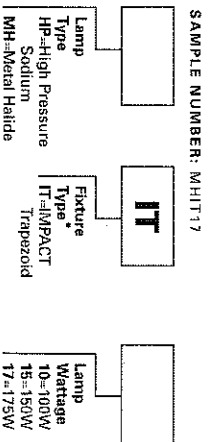
ORDERING INFORMATION

Sample Number: MHIP-T-150-MT-LL

Lamp Type HP- High Pressure Sodium MH- Metal Halide PL- Compact Fluorescent	Series IP-IMPACT	Lamp Wattage HID 1 50- 50W/2 70- 70W/2 100- 100W 150- 150W 175- 175W/4 Compact Fluorescent 26/32/42- 26, 32, or 42W 52- (2) 26W/5, 9	Voltage 7 120V 208V 240V 277V 347V 480V DT 8 TT 9 MT 10 ET 11	Options 12 Q- Quartz Resistive T4 Lamp ^{13, 14, 15, 16} EM- Emergency Quartz Resistive T4 Lamp w/13, 14, 15, 16 Time Delay Relay EM140-XXX- CFL Cold Weather Emergency Battery 17, 18, 9 Pack (Must Specify 120V or 277V) CF/EM-XXX- Emergency Battery Pack (Must Specify 17, 18, 9 120V or 277V) QMR- Quartz Resistive MR16 Lamp ^{15, 16, 20} EMMR- Emergency Quartz Resistive MR16 Lamp w/15, 16, 20 Time Delay Relay EM/SC- Emergency Separate Circuit T4 Lamp ^{14, 16, 21} EM/SCMR- Emergency Separate Circuit MR16 Lamp ^{20, 21} EM/SC/12V- Emergency Separate Circuit (12V) ²² 2QMR- (2) Quartz Resistive MR16 Lamp ^{15, 16, 20} 2EMMR- (2) Emergency Quartz Resistive MR16 ^{15, 16, 20} Lamp w/ Time Delay Relay 2EM/SCMR- (2) Emergency Separate Circuit MR16 ^{20, 21} Lamps 2EM/SC/12V- (2) Emergency Separate Circuit (12V) ²² 2QMR/SC- (1) Quartz Resistive MR16 Lamp and (1) Emergency Separate Circuit MR16 Lamp 2EMMR/SC- (1) Emergency Quartz Resistive MR16 ^{15, 16, 20, 23} Lamp w/ Time Delay Relay and (1) Emergency Separate Circuit MR16 Lamp F1- Single Fuse (120, 277 or 347V) F2- Double Fuse (208, 240 or 480V) LL- Lamp Included (Must Specify Wattage on PL) ²⁴ TR- Tamper Resistant Screw (Door and Mounting Plate) UPL10- 10% Uplight PE- Factory Installed Internal Photocontrol (Specify Voltage)	Standard Color - Bronze (Standard) WH- White BK- Black
--	---------------------	---	---	--	---

- Notes:
- All HID lamps are medium-base.
 - Available in 120V, 277V and Dual-Tap.
 - Not available in 480V.
 - Metal Halide only.
 - (2) 26W quad tube lamp option.
 - Not available with uplight option.
 - Produce also available in non-US voltages and frequencies for international markets. Consult your Cooper Lighting Representative for availability and ordering information.
 - Dual-Tap ballast is 120/277V wired 277V.
 - Triple-Tap ballast is 120/277/347V wired 347V.
 - Multi-Tap ballast is 120/208/240/277V wired 277V.
 - Supplied with 120V through 277V 60/60Hz for Compact Fluorescent.
 - Add as suffix in the order shown and separated by a dash.
 - The power might need to cycle and allow HID lamp to cool in warm climates. Available up to 175W HID.
 - For use with T4 double contact bayonet base, 100W maximum, 120V halogen lamp by others.
 - Lamps wired to quartz resistive relay.
 - Not available with CFL.
 - Battery pack will operate up to 52W CFL lamp for 90 minutes.
 - CF lamps only, rated for minimum temperature of 32°F (-18°C), 52W CFL maximum, heater rated for 300W with thermostat control.
 - CF lamps only, rated for minimum temperature of 32°F (0°C), 52W CFL maximum, heater rated for 300W.
 - For use with MR16, GU10 base, 50W maximum, 120V halogen lamp by others.
 - Leads run out back for connection to auxiliary 120V circuit.
 - Supplied with T24 Bi-pin socket for connection to emergency battery pack (supplied by others). For use with MR16, GU5.3 base, 35W maximum, 12V halogen lamp by others.
 - (1) Lamp wired quartz resistive, (1) lamp wired emergency separate circuit, leads run separate out back.
 - Lamp is shipped separate from luminaire. Lamp is Cooper designated product based on luminaire requirements. Specified lamps must be ordered as a separate line item.

STOCK SAMPLE NUMBER (Lamp Included)



NOTES: Options not available with stock products. Clear Accessories as separate items for field installation. Refer to standard ordering information to add options and accessories.
* Painted Bronze. Supplied with lamp and Multi-Tap HPS Ballast wired 277V.