

# RAB LIGHTING SHY



JOB NAME: \_\_\_\_\_  
DATE: \_\_\_\_\_  
TYPE: \_\_\_\_\_

## DESCRIPTION

Curved and Rectangular Shades to cut glare and improve the looks of small, medium and large lighting fixtures. Die formed aluminum with mounting brackets and stainless steel hardware.

## SPECIFICATIONS

### Customized Shades:

Chip and fade resistant polyester powder coating.

### Finish:

Chip and fade resistant polyester powder coating.

### Hardware:

Stainless steel nuts, bolts and lock washers.  
Aluminum "L" Brackets.

### Shade:

Die formed aluminum, 2mm thick

### Color:

Natural aluminum

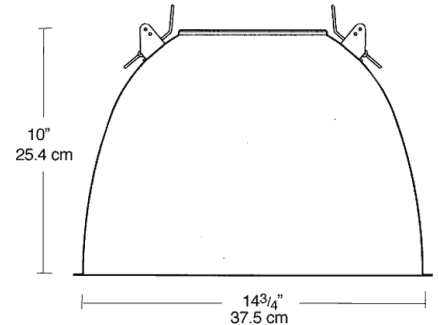
### Patents:

RAB sensor and fixture designs are protected under U.S. and International Intellectual Property laws

### Weight:

1.75

## DIMENSIONS



Note: Specifications may change without notice

RAB Lighting, Inc. • 170 Ludlow Ave • Northvale, NJ 07647 • Tel: 888 RAB-1000 • Fax: 888 RAB-1232 • www.rabweb.com  
© 2006