

Roadway Lighting

Skygard™

201SA Unit Pack

*Low Glare Outdoor
Security Lighting*



GE Lighting Systems, Inc.



Skygard™ 201SA Unit Pack

For outdoor work yards, roadside commercial establishments, suburban developments, rural homes and yards where reduced glare and full cutoff lighting is required.

SPECIFICATION FEATURES

- Reduces glare and light trespass
- Complete unit pack in one package standard: includes hood, optical, lamp, PE control, prewired cable and mounting hardware
- Die-cast aluminum hood
- Meets full cutoff requirements
- Slipfitter is adjustable for 1-1/4 in. to 2 in. pipe
- Fits most NEMA (ANSI 136.6 standard) luminaire assemblies
- Simulated wind load tested to 100 mph



ORDERING NUMBER LOGIC

SGR	07	S	1	N	5	2	S	V5SL	C
PRODUCT IDENT	WATTAGE	LIGHT SOURCE	VOLTAGE	BALLAST TYPE	PE FUNCTION	CABLE	MOUNTING BRACKET	LENS TYPE	LAMP TYPE
XXXX	XX	X	X	X	X	X	X	XXXX	X
SGR = SKYGARD	07 = 70 10 = 100 15 = 150 (55V) 17 = 175	S = HPS C = Merc	1 = 120 3 = 240	N = NPF Reactor or Lag	2 = PE Receptacle 5 = PE Receptacle with PE Control	2 = 30-in. (762mm) #16 4 = 5-ft (1.5M) #14	L = Long 24-in. (610mm) N = None S = Short	V5SL = Open Type 5 SKYGARD Latch Type	C = Clear

PHOTOMETRIC SELECTION TABLE

Wattage	Light Source	IES Type	Photometric Curve Number 35-
70	HPS	5	452513
100	HPS	5	452512
150	HPS	5	452511
175	Merc	5	452514

Full Cut-off

- Lower Glare
- Increased light on the ground
- No direct uplight
- Reduced light trespass



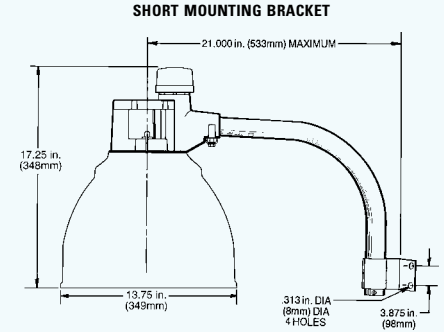
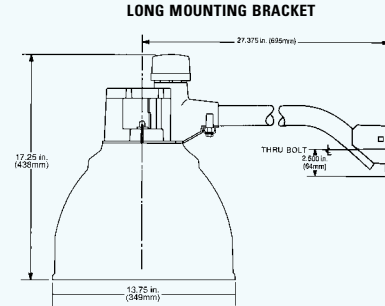
Non Cut-off

- Glare
- Skyglow
- Light trespass
- Less actual foot candles on the ground, than Skygard™



Skygard™ 201SA Unit Pack

Dimensions



SUGGESTED CATALOG NUMBERS

Opticals Only:	GE Manufacturing Number
SGR-1	145298 Single Pack
SGR-5	145299 5 Pack - Order as quantity needed in total

Kits with Long Arm, PE, Lamp and Cable included	GE Manufacturing Number	Wattage	Light Source	Voltage
SGR07S1N54LV5SLC	145618	70	HPS	120
SGR10S1N54LV5SLC	145619	100	HPS	120
SGR15S1N54LV5SLC	145620	150	HPS	120
SGR17C1N54LV5SLC	145877	175	Merc	120
SGR17C3N54LV5SLC	145617	175	Merc	240

DATA

Approximate Net Weight		
Short 18 in. (457mm) Mounting Bracket	25 lbs	11 kgs
Long 24 in. (610mm) Mounting Bracket	30 lbs	14 kgs
Effective Projected Area	1.4 sq. ft. max	0.13 sq. M max
Suggested Mounting Height	12-25 ft.	4-8 M



Skygard™ 201SA Unit Pack



GE Lighting Systems, Inc.

*Hendersonville, NC 28793-4506
www.gelightingssystem.com
(828) 693-2000 (828) 693-2570 FAX*

™ Trademark of General Electric Company
Data subject to change without notice

LSP-1151 — 10/02(3M)GELS