

TORK PHOTOELECTRIC CONTROLS - THERMAL

2020 SERIES

PHOTOCONTROLS

1/2" CONDUIT MOUNTING 180° SWIVEL - LEXAN® HOUSING

APPLICATIONS

Use to control flood lights, patio lamps, decorative lighting. Ideal for applications where it is essential to aim the photocell in an exact direction to sense natural light but avoid artificial light.

FEATURES

- All Lexan® enclosure is impact and vandal resistant. Cover and base are ultrasonically welded for maximum strength.
- Delay of up to two minutes prevents false switching due to light from vehicles, lightning etc.

SPECIFICATIONS

Turn ON / Turn OFF: Turn-ON is 1 to 5 fc, turn-OFF is 3 to 15 fc.

Cell: Cadmium sulphide, epoxy coated, 1/2" diameter.

Contacts: Remain closed between dusk and dawn. (Note: The unit fails in the ON position)

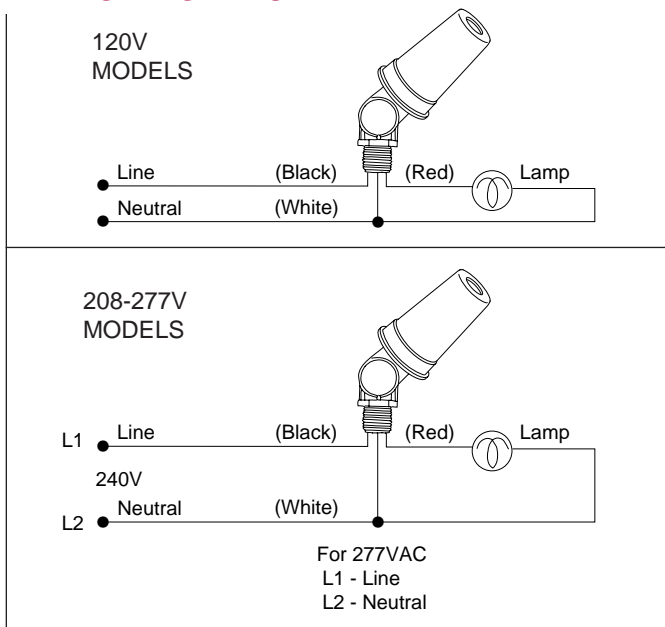
Power Consumption: Averages under one watt.

Temperature Range: -40° to +140°F (-40° to +60°C)

ORDERING INFORMATION

MODEL	VOLTAGE		RATING	
	50-60Hz	SWITCH	TUNGSTEN	BALLAST
2021	120	SPST	2000W	1800VA
2022	208-277	SPST	2000W	1800VA

WIRING DIAGRAMS

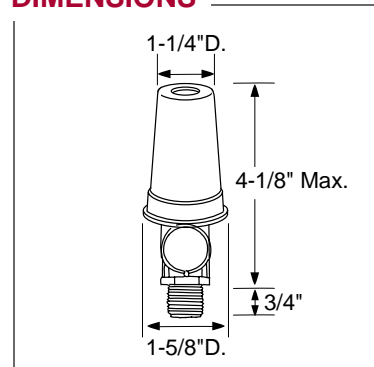


180° SWIVEL "PENCIL"

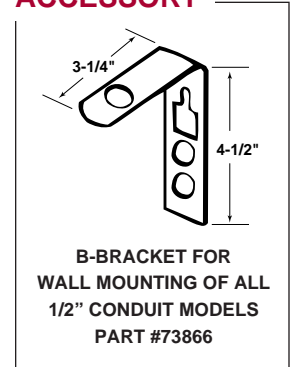


Photocell in the tip allows AIMING in the exact direction for maximum performance.

DIMENSIONS



ACCESSORY



SPECIFICATION WRITER'S GUIDE

Photocontrol enclosure shall be constructed of Lexan® material. Cover and base shall be ultrasonically welded. Cell shall be cadmium sulphide, epoxy coated, 1/2 inch diameter. Contacts shall be normally closed and fail in the ON position. Photocontrol must withstand temperatures of -40° to +140° F. Unit to be provided with three color coded, minimum six inch wire leads, #16 AWG, rated for 105° C. Photocontrol shall have a 180° swivel base for mounting through 7/8 inch opening or 1/2 inch K.O. Furnish and install TORK Model 2021, 120 VAC (Model 2022, 208-277 VAC) or equal.